



## Source Four Mini Series



## GENERAL INFORMATION

The Source Four CE Mini LED can go where no full-sized Source Four® has gone before. ETC's 12W Source Four Mini LED features the same crisp optics, user-friendly functionality and sleek look of the legendary Source Four luminaire, but in a compact format at one-third its size.

The Source Four CE Mini LED has four field-angle choices and is available in a portable version, a ceiling-mount canopy version or a track-mount design. Surprisingly bright for its size, the Mini LED offers crystal-clear image projection and a bright, even field.

## VENUES

- Museums
- Art galleries
- Retail stores
- Restaurants
- Hotel lobbies
- Ballrooms
- Theatres

## FEATURES

- Rugged, die-cast fixture body
- Interchangeable lens tubes permit selection of 19°, 26°, 36° and 50° field angles
- Unique, efficient optical system
- Long-life dimmable white LED source in two CRI values
  - Source Four Mini LED: 80+ CRI
  - Source Four Mini LED Gallery: 90+ CRI
- Three-plane shutters
- Multiple accessories available for colour, gobo pattern, and filtering purposes
- Multiple mounting options: clamp, canopy and 3-circuit Eutrac (or Eutrac compatible track - consult vendor)
- Custom paint colours available in addition to ETC design colours black, white and silver grey; contact ETC for details

## GENERAL

- CE compliant
- IP40 rated

## ORDERING INFORMATION

## Source Four CE Mini LED / Mini LED Gallery (Body Only)

PART NO	DESCRIPTION
7063A1250	Source Four Mini LED 3000K Portable, UK conn., Black
7063A1450	Source Four Mini LED 4000K Portable, UK conn., Black
7063A1454	Source Four Mini LED 5000K Portable, UK conn., Black
7063A1277	Source Four Mini LED Gallery 3000K Portable, UK conn., Black
7063A1249	Source Four Mini LED 3000K Portable, EU conn., Black
7063A1449	Source Four Mini LED 4000K Portable, EU conn., Black
7063A1453	Source Four Mini LED 5000K Portable, EU conn., Black
7063A1276	Source Four Mini LED Gallery 3000K Portable, EU conn., Black
7063A1252	Source Four Mini LED 3000K Canopy Mount, Black
7063A1452	Source Four Mini LED 4000K Canopy Mount, Black
7063A1456	Source Four Mini LED 5000K Canopy Mount, Black
7063A1279	Source Four Mini LED Gallery 3000K Canopy Mount, Black
7063A1251	Source Four Mini LED 3000K Track Mount, Black
7063A1451	Source Four Mini LED 4000K Track Mount, Black
7063A1455	Source Four Mini LED 5000K Track Mount, Black
7063A1278	Source Four Mini LED Gallery 3000K Track Mount, Black



## SPECIFICATIONS

## PHYSICAL

- Die-cast aluminium construction (A380 grade)
- Fine-texture, high-temperature powder-coated paint
- Steel yoke with 10.3mm diameter mounting hole
- Rotating shutter assembly  $\pm 175^\circ$
- E-size gobo pattern holder (included)
  - 37.5mm with a 25.4mm image area
- Stainless steel shutters in a tri-plane assembly
- Fixed-beam angles to suit a range of throw distances
- Tool-free tilt and beam adjustment
- High-impact resistant, thermally insulated knobs and shutter handles
- Captive accessory slot for pattern holder (included)
- Dual captive accessory slots for media frame (included)
- Portable:
  - Yoke-mounted LED driver in colour-matched enclosure (Black enclosure for silver grey fixtures)
  - 1.8m power cable with UK or EU connector
- Install canopy (ceiling mount) -
  - Colour-matched, powder-coated canopy mount with LED driver (included)
  - Installation hardware included
  - Fixture to canopy factory pre-wired for easy install
  - Built-in rotation stop to prevent cable damage
- Track mount -
  - EUTRAC 3-circuit adapter, compatible with other popular brand track
  - LED factory-installed in colour-matched adapter (black adapter and LED driver enclosure for silver grey fixtures)
- Black or white power lead

## ELECTRICAL

- Power at full intensity: 12W typical, 14W max
- Input voltage 190-250V, 50/60Hz
- Dimmable (forward and reverse phase)
- Inrush current at 230V: 4A
  - NOTE: Expect to be able to connect not more than 30-40 units to a single 10A or 15A breaker due to the inrush current. Circuits with 30mA RCD protection may not be able to carry more than about 20 units due to current leakage from LED drivers. Consult your ETC dealer for advice if in doubt.
- CE compliant

## LED ENGINE

- Cree LED (Available in 80+ and 90+ CRI)
- Long-life: 35,000 hours L70 lumen maintenance
- 3000K, 4000K and 5000K colour temperature options

## OPTICAL

- 19°, 26°, 36° and 50° field angle Lens Tubes available
- Projector-quality, high-contrast lenses
- Beam edge continually adjustable hard to soft edge

## THERMAL

- 0°C to +40°C ambient operating environment

## ORDERING INFORMATION, CONT.

PART NO	DESCRIPTION
7063A2002	Source Four Mini Lens Tube 19°, Black
7063A2006	Source Four Mini Lens Tube 26°, Black
7063A2007	Source Four Mini Lens tube 36°, Black
7063A2008	Source Four Mini Lens tube 50°, Black

NOTES: When ordering other colours than Black, please add -1 for White or -5 for Silver Grey to part number.

Track adapter by EUTRAC and compatible with track from other popular makes.

Consult the appropriate manufacturer for advise.  
Fixture Bodies includes Shutter Barrel - Lens Tube to be ordered separately.

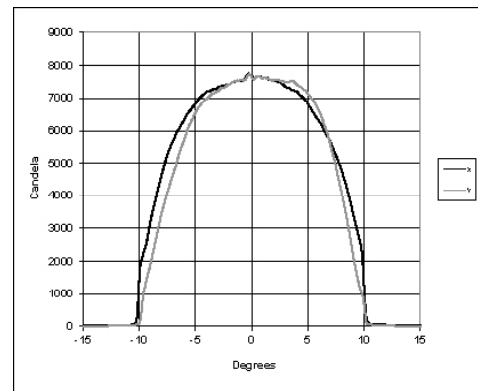
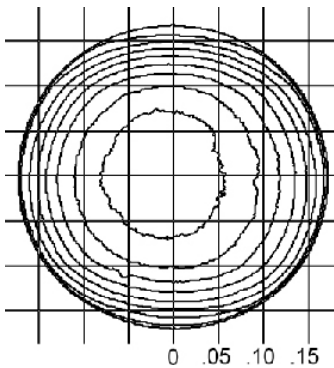
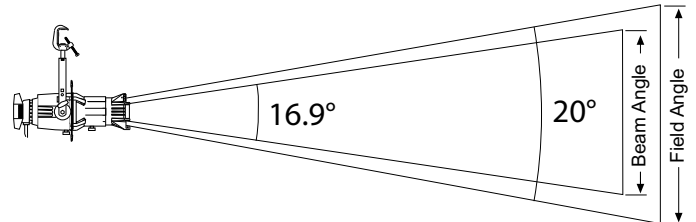
ACCESSORIES: Please see page 7

PHOTOMETRY

**19 degree**

FIELD LUMENS	BEAM LUMENS	BEAM ANGLE	FIELD ANGLE	CANDELA	LUMENS PER WATT
488	400	16.9	20.0	7,830	37

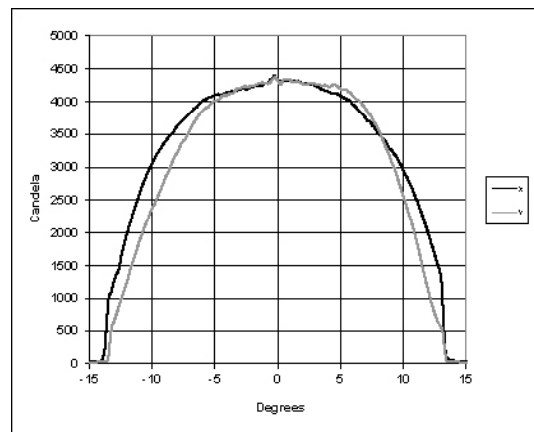
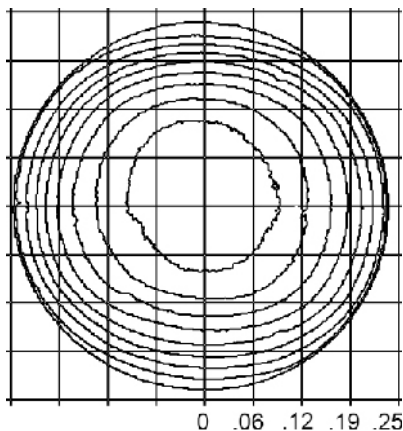
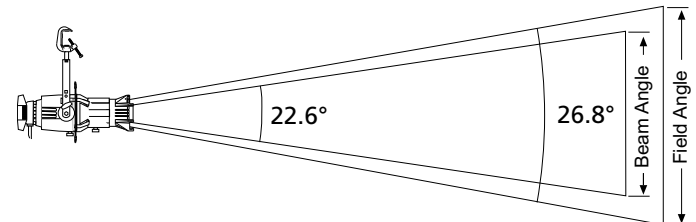
<b>THROW DISTANCE</b>	3.0m	4.6m	6.1m	7.6m
<b>FIELD DIAMETER</b>	1.1m	1.6m	2.1m	2.7m
<b>ILLUMINANCE (FC)</b>	78	35	20	13
<b>ILLUMINANCE (LUX)</b>	843	375	211	135



**26 degree**

FIELD LUMENS	BEAM LUMENS	BEAM ANGLE	FIELD ANGLE	CANDELA	LUMENS PER WATT
490	399	22.6	26.8	4,440	37.1

<b>THROW DISTANCE</b>	3.0m	4.6m	6.1m	7.6m
<b>FIELD DIAMETER</b>	1.5m	2.2m	2.9m	3.6m
<b>ILLUMINANCE (FC)</b>	44	20	11	7
<b>ILLUMINANCE (LUX)</b>	478	212	119	76

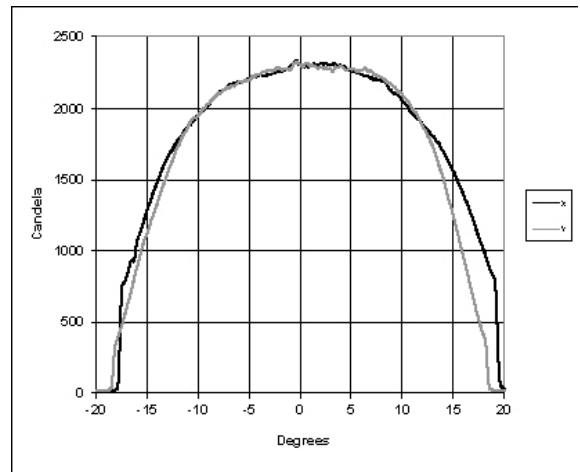
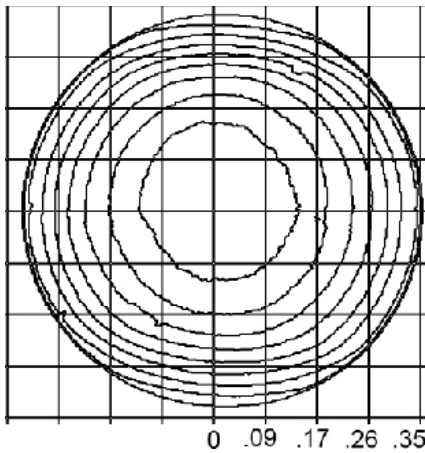
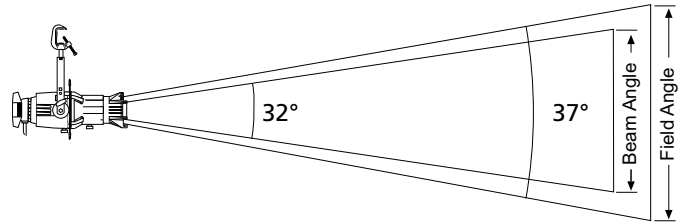


PHOTOMETRY

36 degree

FIELD LUMENS	BEAM LUMENS	BEAM ANGLE	FIELD ANGLE	CANDELA	LUMENS PER WATT
517	412	32.0	37.0	2,350	39.1

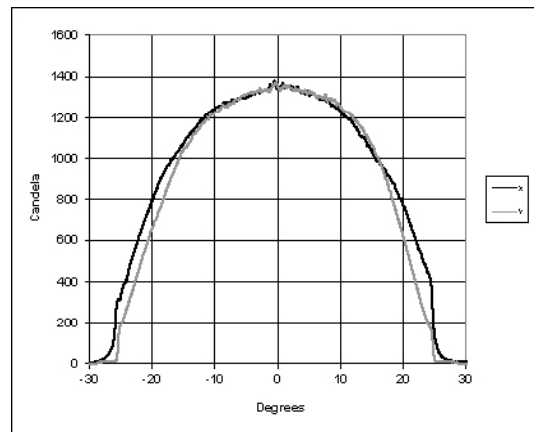
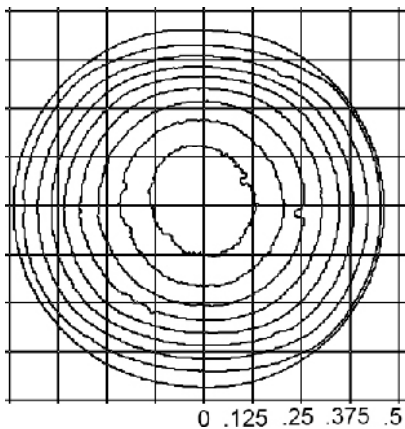
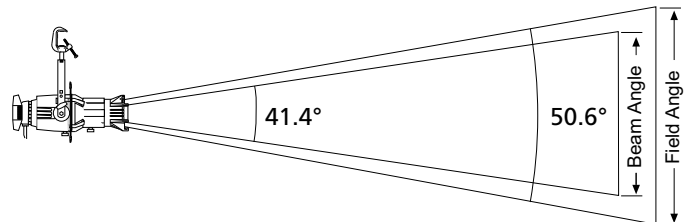
THROW DISTANCE	3.0m	4.6m	6.1m	7.6m
FIELD DIAMETER	2.0m	3.1m	4.1m	5.1m
ILLUMINANCE (FC)	24	10	6	4
ILLUMINANCE (LUX)	253	112	63	40



50 degree

FIELD LUMENS	BEAM LUMENS	BEAM ANGLE	FIELD ANGLE	CANDELA	LUMENS PER WATT
517	369	41.4	50.6	1,384	39.1

THROW DISTANCE	3.0m	4.6m	6.1m	7.6m
FIELD DIAMETER	2.9m	4.3m	5.8m	7.2m
ILLUMINANCE (FC)	14	6	3	2
ILLUMINANCE (LUX)	149	66	37	24

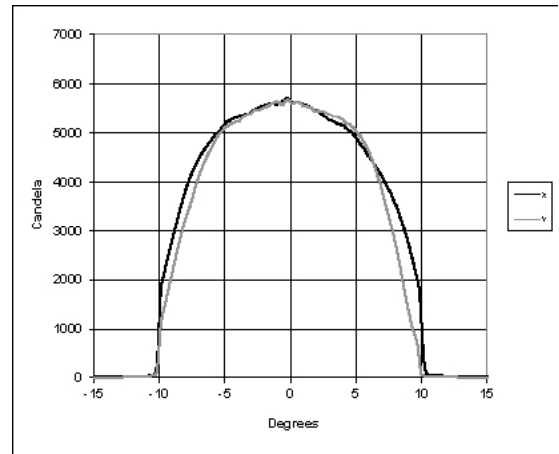
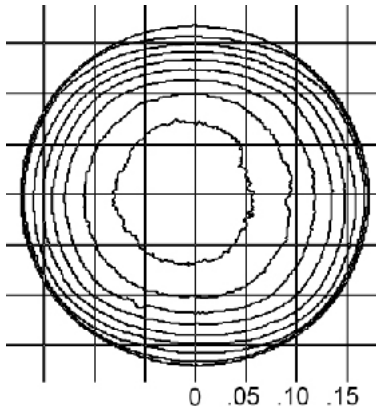
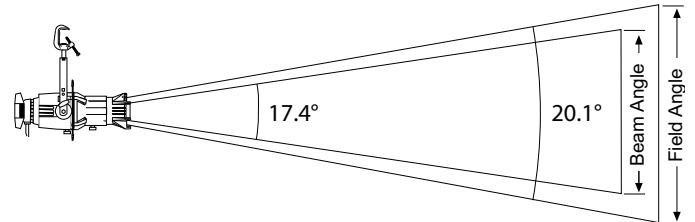


PHOTOMETRY

**19 degree Gallery**

FIELD LUMENS	BEAM LUMENS	BEAM ANGLE	FIELD ANGLE	CANDELA	LUMENS PER WATT
374	311	17.4	20.1	5,752	29.4

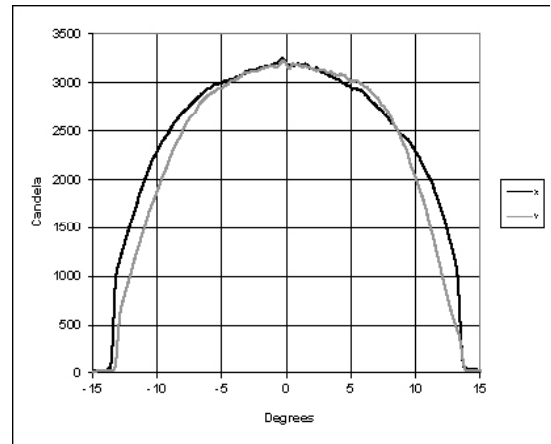
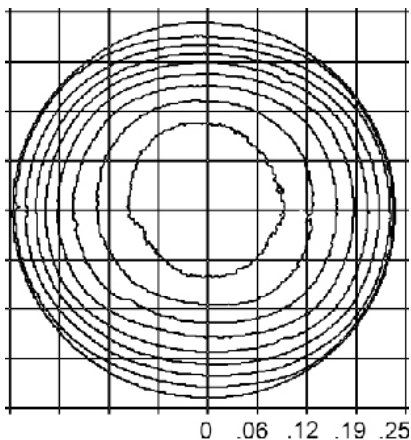
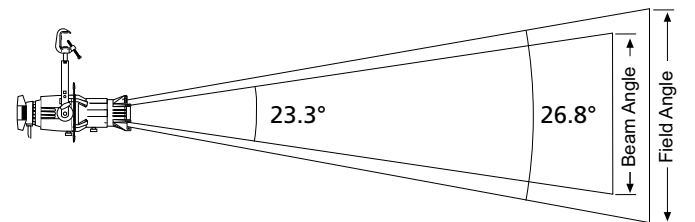
THROW DISTANCE	3.0m	4.6m	6.1m	7.6m
FIELD DIAMETER	1.1m	1.6m	2.2m	2.7m
ILLUMINANCE (FC)	58	26	14	9
ILLUMINANCE (LUX)	619	275	155	99



**26 degree Gallery**

FIELD LUMENS	BEAM LUMENS	BEAM ANGLE	FIELD ANGLE	CANDELA	LUMENS PER WATT
376	311	23.3	26.8	3,270	29.6

THROW DISTANCE	3.0m	4.6m	6.1m	7.6m
FIELD DIAMETER	1.5m	2.2m	2.9m	3.6m
ILLUMINANCE (FC)	33	15	8	5
ILLUMINANCE (LUX)	352	156	88	56

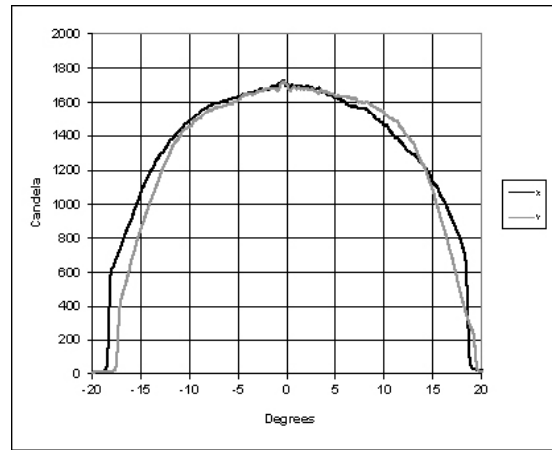
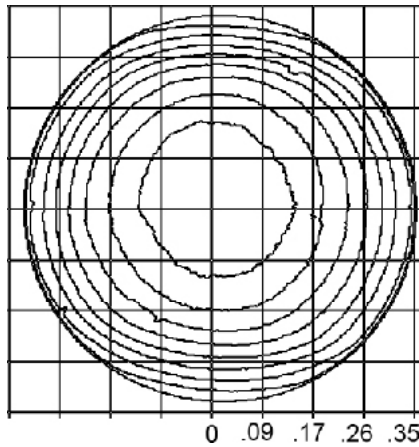
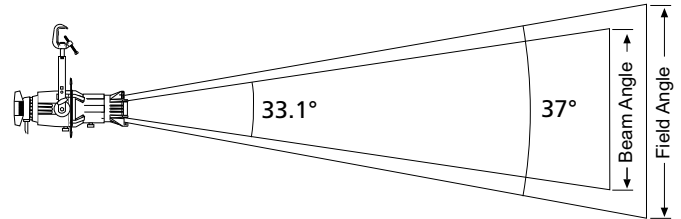


PHOTOMETRY

**36 degree Gallery**

FIELD LUMENS	BEAM LUMENS	BEAM ANGLE	FIELD ANGLE	CANDELA	LUMENS PER WATT
391	320	33.1	37.0	1,730	30.8

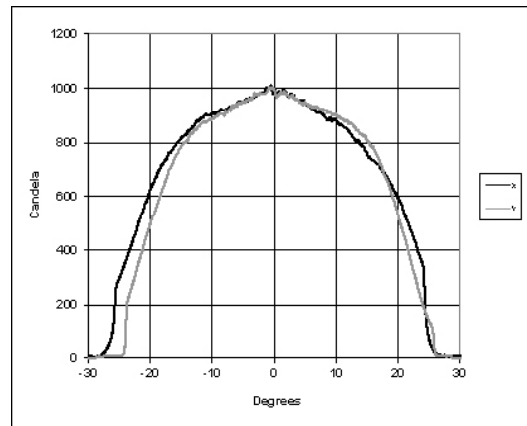
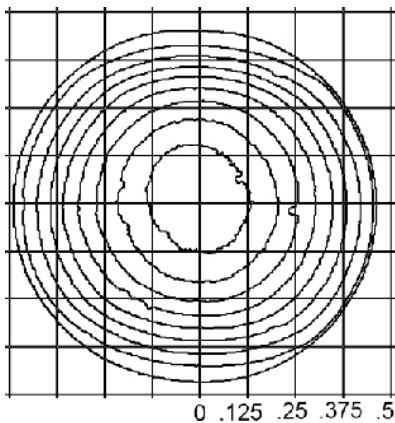
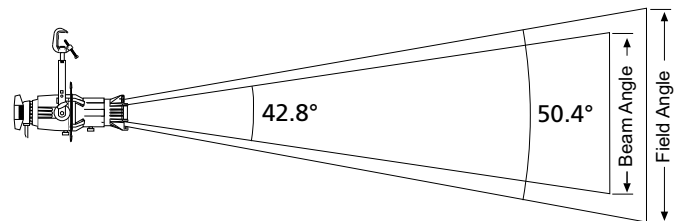
<b>THROW DISTANCE</b>	3.0m	4.6m	6.1m	7.6m
<b>FIELD DIAMETER</b>	2.0m	3.1m	4.1m	5.1m
<b>ILLUMINANCE (FC)</b>	17	8	4	3
<b>ILLUMINANCE (LUX)</b>	186	83	47	30



**50 degree Gallery**

FIELD LUMENS	BEAM LUMENS	BEAM ANGLE	FIELD ANGLE	CANDELA	LUMENS PER WATT
389	286	42.8	50.4	1,010	30.7

<b>THROW DISTANCE</b>	3.0m	4.6m	6.1m	7.6m
<b>FIELD DIAMETER</b>	2.9m	4.3m	5.7m	7.2m
<b>ILLUMINANCE (FC)</b>	10	4	3	2
<b>ILLUMINANCE (LUX)</b>	109	48	27	17

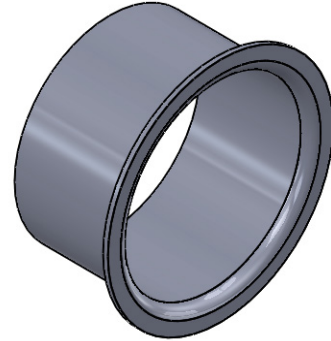


ACCESSORIES

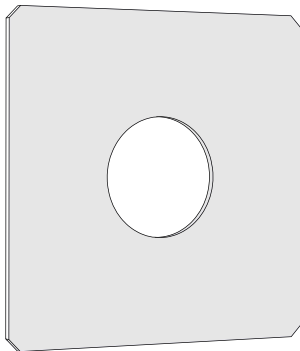
**Source Four Mini LED Accessories**

PART NO	DESCRIPTION
7063A3014	Colour Frame, Black (Spare)
7063A2010	Gobo Pattern Holder, E-size (Spare) - Aperture Ø 37.5mm, Ø 25.4mm image size recommended.
PSF1105	Top Hat 4MTH, Black
PSF1106	Top Hat Short 4MTHS, Black
PSF1107	Half Hat 4MHH, Black
PSF1108	Half Hat Short 4MHHS, Black
7063A3038	Donut 4MD, Black

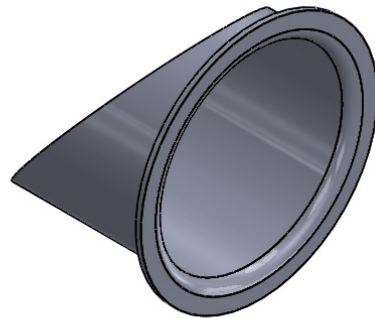
NOTE: When ordering other colours than Black, please add -1 for White or -5 for Silver Grey to part number



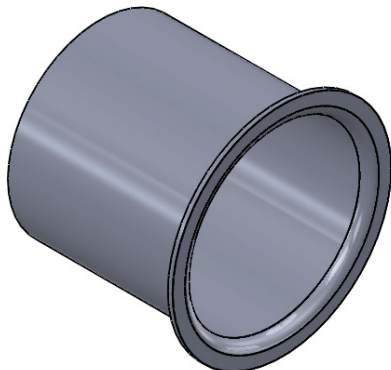
**4MTHS - TOP HAT SHORT**



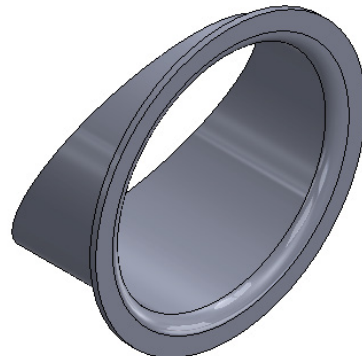
**4MD - DONUT**



**4MHH - HALF HAT**



**4MTH - TOP HAT**



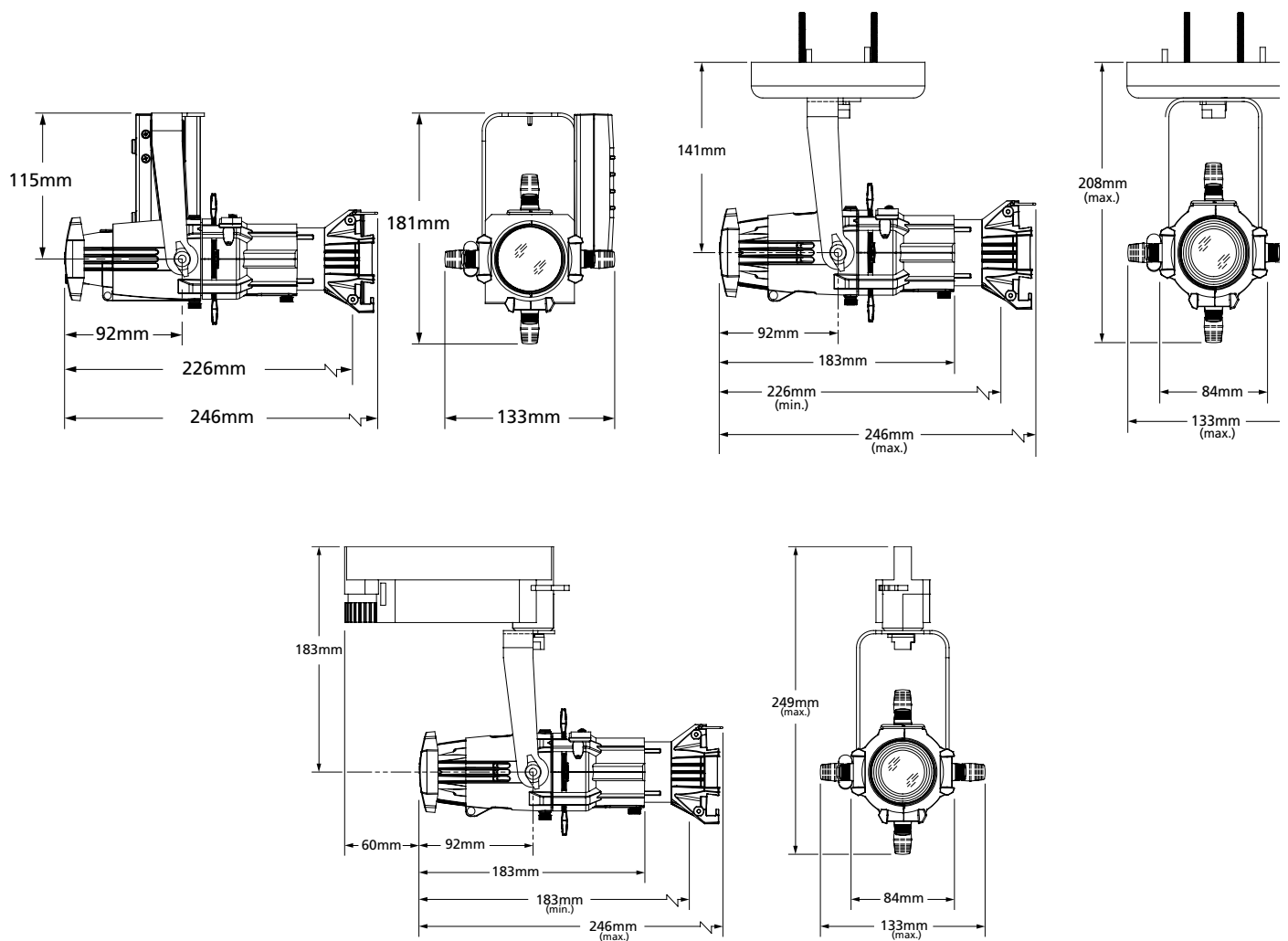
**4MHHS - HALF HAT SHORT**

PHYSICAL

Source Four Mini LED Weights and Dimensions

	WEIGHT	SHIPPING WEIGHT
	kg	kg
Portable	1.2	1.7
Install Canopy	1.2	1.7
Track Mount	1.1	1.6

\*Weights shown for Fixture Body with Lens Tube included



Corporate Headquarters • 3031 Pleasant View Rd, PO Box 620979, Middleton WI 53562 0979 USA • Tel +1 608 831 4116 • Fax +1 608 836 1736  
 London, UK • Unit 26-28, Victoria Industrial Estate, Victoria Road, London W3 6UU, UK • Tel +44 (0)20 8896 1000 • Fax +44 (0)20 8896 2000  
 Rome, IT • Via Pieve Torina, 48, 00156 Rome, Italy • Tel +39 (06) 32 111 683 • Fax +44 (0)20 8752 8486  
 Holzkirchen, DE • Ohmstrasse 3, 83607 Holzkirchen, Germany • Tel +49 (80 24) 47 00-0 • Fax +49 (80 24) 47 00-3 00  
 Hong Kong • Room 1801, 18/F, Tower 1 Phase 1, Enterprise Square, 9 Sheung Yuet Road, Kowloon Bay, Kowloon, Hong Kong • Tel +852 2799 1220 • Fax +852 2799 9325  
 Web • www.etcconnect.com • Copyright©2016 ETC. All Rights Reserved. All product information and specifications subject to change. 7063L1003-GB Rev. B 06/2016  
 U.S. and international patents pending.